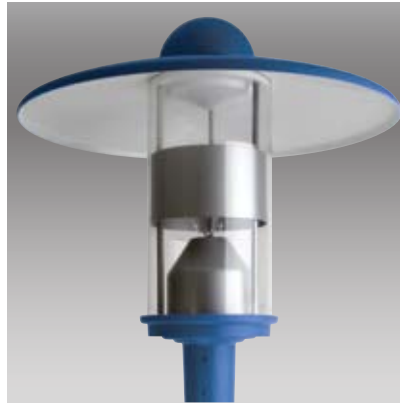


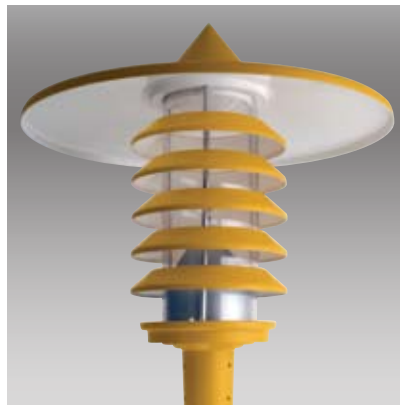
**Pedestrian Areas**  
**Walkways**  
**Building Entrances**  
**Parking Lots**  
**Shopping Malls**



RD - round shade and cap



GPT - glow top pointed shade and cap



PT - pointed shade and cap



FL - flat shade and cap

### Specifications



**Certifications** The fixture shall be ETL and CETL listed for wet location. Meets IP54 standard.

**Housing** The housing shall be constructed of spun and cast aluminum.

**Ballast** The ballast shall be readily accessible, removable and insulated. The fixture is to be pre-wired and electronically tested before shipment.

**Lens** The lens shall be clear acrylic (CLL, CLR, CLB & IND versions) or uv resistant opal polycarbonate for wide angle light distribution (O version) or clear, partially frosted polycarbonate. (ECLR version)

**Glow Top** The glow tops shall be constructed of uv resistant opal or clear polycarbonate standard or colored polycarbonate optional.


**Reflectors** The reflectors shall be aluminum and silver anodized.

**Hardware** All exposed hardware shall be stainless steel.

**Mounting Details** The fixture shall either externally slipfit a 2-3/8" tenon (PM3) or internally slipfit a 4" pole. (PM4)

**Finish** BK-BZ-WH-GR-GY-NA baked enamel paint standard. Powder coat and custom colors available on request.

<b>PROJECT</b>
<b>FIXTURE TYPE</b>
<b>CATALOG#</b>

 Some luminaires use fluorescent or high intensity discharge (HID) lamps that contain small amounts of mercury. Such lamps are labeled "Contains Mercury" and/or with the symbol "Hg." Lamps that contain mercury must be disposed of in accordance with local requirements. Information regarding lamp recycling and disposal can be found at [www.lamprecycle.org](http://www.lamprecycle.org)

2930 South Fairview Street  
 Santa Ana, CA 92704  
 Phone: 714 668 3660  
 Fax: 714 668 1107  
[sales@allscape.net](mailto:sales@allscape.net)  
<http://www.allighting.com>

# AA-105 AA-205

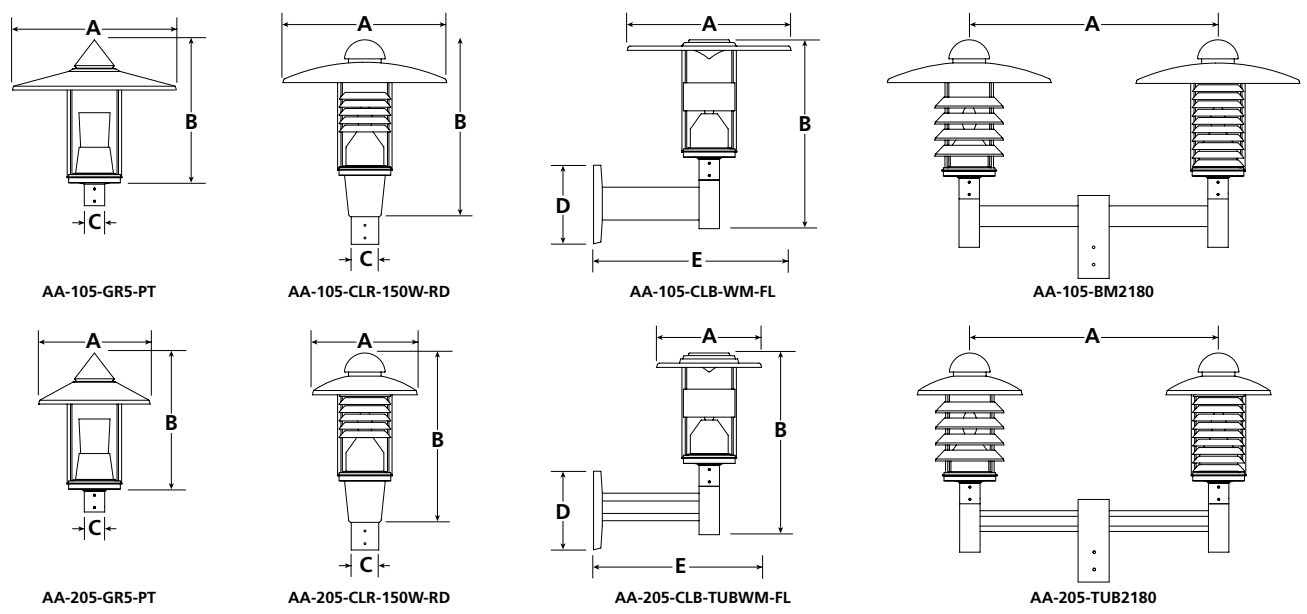
Series	Max Watts	Lamp Type	Voltage <sup>1</sup>	Optics	Finish <sup>1</sup>	Shade	Options
AA-105	13 CF	CF <sup>3</sup>	120	O	Opal Polycarbonate Lens	FL Flat	PM3 <sup>4</sup> 3" Pole adaptor
AA-205	26 CFQ	CFQ <sup>3</sup>	208	CLR	Clear Acrylic Lens with Variform Reflector	PT Pointed	PM4 <sup>5</sup> 4" Pole adaptor
	42 CFT	CFT <sup>3</sup>	240			RD Round	
	70 MH	T6	277	CLB	Clear Acrylic Lens with Baffle and Variform Reflector	GFL Glow Flat Opal	
	150 HPS <sup>9</sup>	E17 <sup>2</sup>				GPT Glow Pointed Opal	
	150 MH <sup>9</sup>	E17 <sup>2</sup>				GRD Glow Round Opal	
	150 MH <sup>9</sup>	T6		CLL	Clear Acrylic Lens with Controform Reflector	CC Custom Color	GFLC Glow Flat Clear
				ECLR <sup>10</sup>	Partially Frosted Lens with Exterior Controform Reflector		GPTC Glow Pointed Clear
			GR3	Glass Refractor Type 3		GRDC Glow Round Clear	HSS House Side Shield
			GR5	Glass Refractor Type 5			BM2180 <sup>6</sup> Pole adaptor 2 @180°
			IND <sup>9,7</sup>	Clear Acrylic Lens with Indirect optics			TUB2180 <sup>6</sup> Pole adaptor 2 @180° Tubular
							BM3120 <sup>6</sup> Pole adaptor 3 @120°
							BM490 <sup>6</sup> Pole adaptor 4 @90°
							WM Wall Mount
							TUBWM Wall Mount Tubular

- Consult factory for other colors and voltages
- Lamps 175 W and below are medium base.
- CF = single biax, CFQ = double biax, CFT = triple biax
- PM3 - externally slip fits 2-3/8" tenon
- PM4 - internally slip fits 4" pole
- BM - externally slip fits specified tenon.
- IND - Indirect lightsource is a spot reflector with 70W E17/T6, 100W E17, or 150W T6 lamp, AA-105 only.
- NA - Natural Aluminum
- Requires internal ballast box extension
- Note ECLR option 70HPS/MH max.

## Example: AA-105-100MH-E17-277-CLL-BK-FL-PM3

### Luminaire Dimensions

Luminaire	A		B		C		D		E		Weight		EPA
	Inch	mm	Inch	mm	Inch	mm	Inch	mm	Inch	mm	lbs.	kg	
AA-105-GR5-PT	23.62	600	20.63	524	3.00	76	n/a	n/a	n/a	n/a	18.5	8.4	1.4
AA-205-GR5-PT	15.00	381	19.00	487	3.00	76	n/a	n/a	n/a	n/a	18.2	8.3	1.3
AA-105-CLR-150W-RD	23.62	600	25.60	650	3.50	89	n/a	n/a	n/a	n/a	20.0	9.1	1.7
AA-205-CLR-150W-RD	15.00	381	24.60	625	3.50	89	n/a	n/a	n/a	n/a	19.7	8.9	1.5
AA-105-CLB-WM-FL	23.62	600	27.68	665	n/a	n/a	11.00	279	25.20	640	23.1	10.5	1.8
AA-205-CLB-WMTUB-FL	15.00	381	26.38	670	n/a	n/a	11.00	279	24.38	619	22.9	10.4	1.7
AA-105-BM2180	36.00	915	n/a	n/a	n/a	n/a	n/a	n/a	n/a	n/a	46.2	21.0	3.7
AA-205-TUB2180	36.00	915	n/a	n/a	n/a	n/a	n/a	n/a	n/a	n/a	45.8	20.8	3.4



natural aluminum  
bronze  
gray  
green  
white  
black