

- Pedestrian Areas**
- Walkways**
- Building Entrances**
- Parking Lots**
- Shopping Malls**
- Landscape Areas**



PT - pointed shade and cap



GFL - glow top flat shade and cap

Specifications



Certifications ETL and CETL listed for wet location. Meets IP54 standard.

Housing The housing shall be constructed of spun and cast aluminum. The bollard shaft shall be constructed from 8" diameter one piece extruded 6063 alloy aluminum tube and shall be 24" high.

Ballast The ballast for HID are high power factor core and coil, multi-tap. Ballasts for 26/32/42W compact fluorescent are electronic, universal voltage 120-277V, 50 or 60Hz.

Lens The lens shall be clear acrylic (CLL, CLR, CLB & IND versions) or uv resistant opal polycarbonate for wide angle light distribution (O version) or clear, partially frosted polycarbonate. (ECLR version)

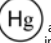
Optic Assembly The reflectors shall be aluminum and silver anodized.

Options The glow tops shall be constructed of uv resistant opal or clear polycarbonate standard or colored polycarbonate optional.

Mounting Galvanized steel anchor bolts provided for easy mounting. Column is secured to base with stainless steel tamper proof screws.

Finish BK-BZ-WH-GR-NA-GY thermoset polyester powder coat which is electrostatically applied and bonded by heat fusion thermosetting.

PROJECT
FIXTURE TYPE
CATALOG#

 Some luminaires use fluorescent or high intensity discharge (HID) lamps that contain small amounts of mercury. Such lamps are labeled "Contains Mercury" and/or with the symbol "Hg." Lamps that contain mercury must be disposed of in accordance with local requirements. Information regarding lamp recycling and disposal can be found at www.lamprecycle.org

Product Order Guide

Series	Max Watts	Lamp Type	Lamp Voltage ³	Optics	Finish ³	Shade	Options
LL-205	150 MH	T6	120	O Opal Polycarbonate Lens	BK Black	FL Flat	HSS House Side Shield
	150 MH	E17	208	CLR Clear Acrylic Lens with Variform Reflector	BZ Bronze	PT Pointed	
	150 HPS	E17	240	CLB Clear Acrylic Lens with Baffle and Variform Reflector	WH White	RD Round	
	57 CFT	CFT ⁴	277	CLL Clear Acrylic Lens with Controform Reflector	GR Green	GFL Glow Flat Opal	
				ECLR ¹ Partially Frosted Lens with Exterior Controform Reflector	NA Natural Alum	GPT Glow Pointed Opal	
				GR3 Glass Refractor Type 3	GY Gray	GRD Glow Round Opal	
				GR5 Glass Refractor Type 5	CC Custom	GFLC Glow Flat Clear	
						GPTC Glow Pointed Clear	
						GRDC Glow Round Clear	

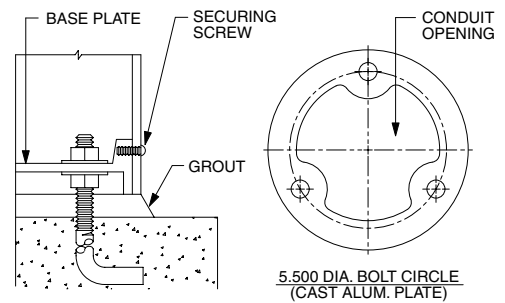
1 Note ECLR option 70HPS/MH max.

2 NA - Natural Aluminum.

3 Consult factory for other colors and voltages.

4 Compact fluorescent lamp base options: 26/32W CF-G24Q-3
42W CF-GX24Q-4, 57W CF-GX24Q-5.

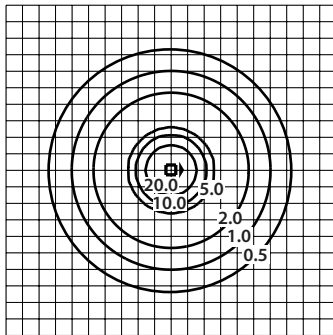
Anchor Bolt Size
(3) 1/2" x 12" x 3"



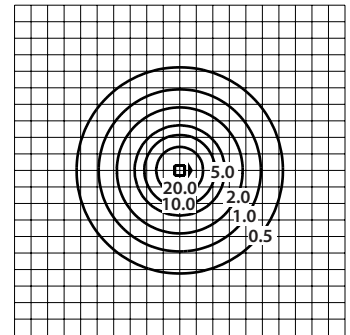
Example: LL-205-100MH-E17-277-CLL-BK-FL

Photometric Data

LL-205-70MH-ECLR
5000 Initial Lumens
36 in. Mounting Height
2.0 ft. grid
Value in footcandles

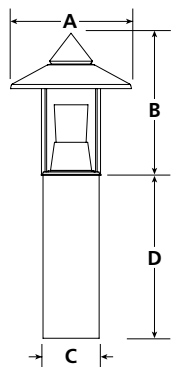


LL-205-70MH-GR5
5000 Initial Lumens
36 in. Mounting Height
2.0 ft. grid
Value in footcandles

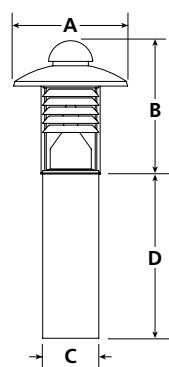


Luminaire Dimensions

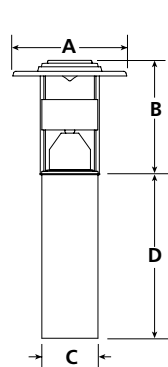
Luminaire	A		B		C		D		Weight	
	Inch	mm	Inch	mm	Inch	mm	Inch	mm	lbs.	kg
LL-205-GR5-PT-HDBP	15.00	381	19.00	483	8.00	394	24.00	610	24.0	10.9
LL-205-CLR-RD	15.00	381	17.75	451	8.00	203	24.00	610	24.5	11.1
LL-205-CLB-FL	15.00	381	15.25	387	8.00	203	24.00	610	24.0	10.9
LL-205-ECLR-RD	15.00	381	17.75	451	8.00	203	24.00	610	25.0	11.3
LL-205-CLL-RD	15.00	381	17.75	451	8.00	203	24.00	610	25.0	11.3



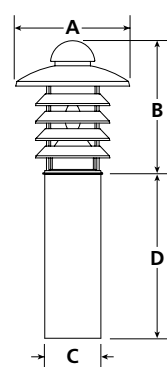
LL-205-GR5-PT



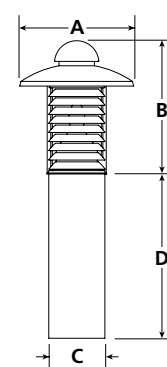
LL-205-CLR-RD



LL-205-CLB-FL



LL-205-ECLR-RD



LL-205-CLL-RD