

Building Entrances

Landscape Accent

Walkways

Planted Areas

Parks

Parking Lots



LL-300



LL-301

Specifications



- Certifications** The fixture is UL listed to U.S. and Canadian safety standards for wet locations.
- Housing** The head assembly is spun aluminum and has easy access for re-lamping. Fixture column is extruded aluminum, 6" diameter with .125" wall thickness. Fixture base is constructed of heavy duty cast aluminum.
- Ballast** The ballast for HID are high power factor core and coil, multi-tap. Ballasts for 26/32/42W compact fluorescent are electronic, universal voltage 120-277V, 50 or 60Hz.
- Lens** The lens shall be single piece clear acrylic with high temperature silicone gaskets for positive sealing of optical chamber.
- Optic Assembly** Borosilicate Type 5 glass refractor with or without house side shield or conical specular aluminum reflector.
- Mounting** Galvanized steel anchor bolts and twist-lock feature provided for easy mounting. Column is secured to base with stainless steel locking screw.
- Finish** BK-BZ-WH-GR-NA-GY thermoset polyester powder coat which is electrostatically applied and bonded by heat fusion thermosetting. VR finish is hand-rubbed over a black thermoset polyester powdercoat. Limestone and Sandstone finish is bonded to the aluminum substrate.

PROJECT
FIXTURE TYPE
CATALOG#



Some luminaires use fluorescent or high intensity discharge (HID) lamps that contain small amounts of mercury. Such lamps are labeled "Contains Mercury" and/or with the symbol "Hg." Lamps that contain mercury must be disposed of in accordance with local requirements. Information regarding lamp recycling and disposal can be found at www.lamprecycle.org

Product Order Guide

Series	Max Watts	Lamp Type	Voltage	Overall Height	Finish ³	Options
LL-300/301	100 MH	E-17	120	24" 609 mm	BK Black	CLR Cone ¹
	100 HPS	E-17	208	30" 762 mm	BZ Bronze	GR5 Type V Refractor
	100 INC	A21	240	38" 965 mm	WH White	HSS House Side Shield
	42 CF	CF ^{1,2}	277		GR Green	F Single Fusing (120/277)
					NA Natural Alum	FF Double Fusing (208/240)
					GY Gray	GFI GFI Provision
					VR Verde	EMG Emergency Battery Backup
					L Limestone	
					S Sandstone	
					CC Custom	

1 Cone optic not available with fluorescent lamps.

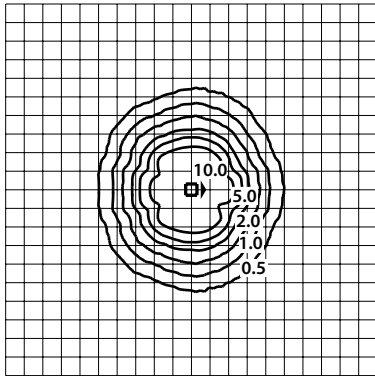
2 Compact fluorescent lamp base options: 26W CF-GX24q-3, 32W CF-GX24q-3, 42W CF-GX24q-4.

3 Consult factory for other colors and voltages.

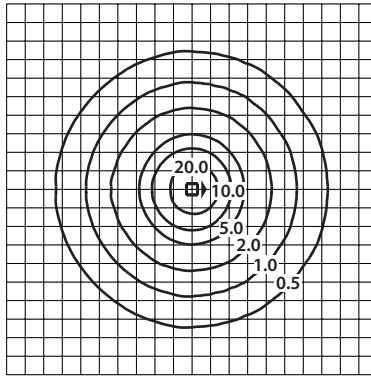
Example: LL-300-42CF-120-30-BK-CLR

Photometric Data

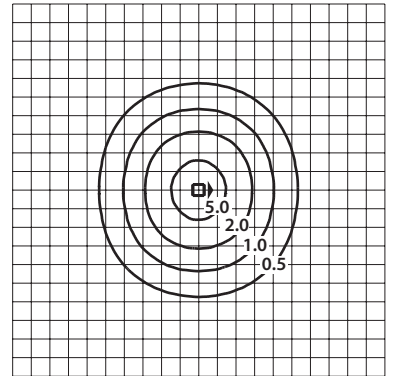
LL-300-100MH-type F
9000 Initial Lumens
36 in. Mounting Height, 2.0 ft. grid
Value in footcandles



LL-300-100MH-type V
9000 Initial Lumens
36 in. Mounting Height, 2.0 ft. grid
Value in footcandles

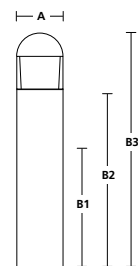


LL-301-42CF-type V
3200 Initial Lumens
36 in. Mounting Height, 2.0 ft. grid
Value in footcandles

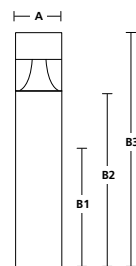


Luminaire Dimensions

Luminaire	A		B1		B2		B3		C		Weight	
	Inch	mm	Inch	mm	Inch	mm	Inch	mm	Inch	mm	lbs.	kg
LL-300	6.0	152	24.0	610	30.0	762	38.0	969	N/A	N/A	20.0	9.1
LL-301	6.0	152	24.0	610	30.0	762	38.0	969	N/A	N/A	20.0	9.1



LL-300



LL-301

