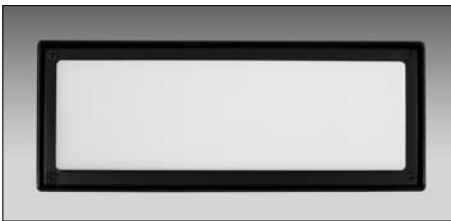


SP

- Corridors**
- Walkways**
- Accent and**
- General Lighting**



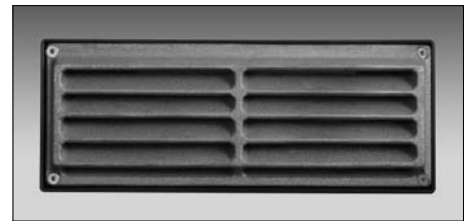
SP-201



SP-200



SP-203



SP-204

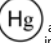
Specifications

UL cUL ADA IP66

- Certifications** The fixture shall be UL listed to U.S. and Canadian safety standards for wet locations and concrete pour. IP66 rated dust-tight and sealed against direct jets of water. The fixture shall meet ADA requirements.
- Housing** The housing is recessed, water-tight, die-cast, copper free aluminum for corrosion resistance in concrete applications. Includes four 1/2" NPT conduit entries for through wiring. Provision for thermal protection is supplied.
- Ballast** The ballast for 18W CF shall be electronic 50 or 60 Hz. The ballasts for 9 and 13W CF shall be class B core and coil HPF rated for 0° starting temperature. 120/12 step-down transformer is core and coil isolated primary to secondary. 95% efficiency rating, sound rating "A". All ballasts are factory wired and tested and mounted on a removable tray.
- Lens/Optics** The lens shall be clear tempered glass for louvered fixtures. Frosted lens is opal UV-stabilized polycarbonate in front of tempered glass. Symmetric reflector is precision formed with white reflective coating.
- Trim Ring/Face Plate** The SP-200/201 trim ring is of a die-cast, copper-free aluminum for superior corrosion resistance. The SP-200 face plate is polycarbonate, the SP-201 is die-cast aluminum.
- The SP-203/204 trim ring is of polycarbonate, color-impregnated with dark bronze finish. The face plates are natural cast bronze.
- All fixtures use a silicone gasket ensuring a positive watertight seal, louver provides 45° shielding.
- Finish** BK-BZ-WH is thermoset polyester powdercoat which is electrostatically applied and bonded by heat fusion thermosetting. CC available upon request.

PROJECT
FIXTURE TYPE
CATALOG#

SP-200/201 203/204

 Some luminaires use fluorescent or high intensity discharge (HID) lamps that contain small amounts of mercury. Such lamps are labeled "Contains Mercury" and/or with the symbol "Hg." Lamps that contain mercury must be disposed of in accordance with local requirements. Information regarding lamp recycling and disposal can be found at www.lamprecycle.org

Product Order Guide

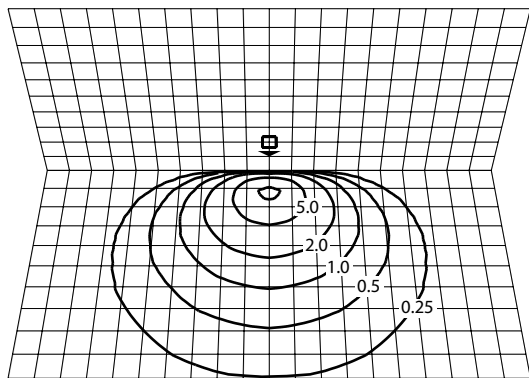
Series	Max Watts	Lamp Type	Voltage	Finish ³	Options
SP-200/201	18 CF ²	CF	120/277	BK Black	P ¹ Thermal Protector
203/204	(2)18 LV 40 INC	S11 T10	120/12 120	BZ Bronze WH White CC Custom	MM Masonry Mounting Kit NS New Stud Wall Mounting Kit ES Existing Hollow Wall Mounting Kit
			SP-203/204	Cast Bronze	
	LED				
	3x1	3000K Warm White (WW) or 5500K Cool White (CW)			Luxeon®
	5x1	3000K Warm White (WW) or 5500K Cool White (CW)			Luxeon®

- 1 Thermal protector is required for installations in drywall, plaster, wood or other non-masonry materials with the exception of fluorescent and LED lamping and must be ordered as an option.
- 2 Compact fluorescent lamp base options: 9W CF-G23, 13W CF-GX23-2, 18W CF-G24q-2.
- 3 SP-200 is available in black and bronze only. Consult factory for other colors and voltages.

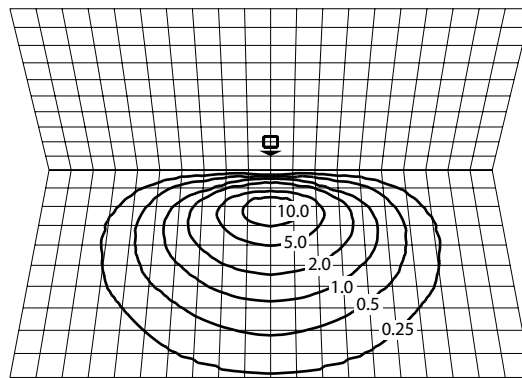
Example: SP-200-18CF-120-BK-P-NS

Photometric Data

SP-200-18CF
1075 Initial Lumens
1.0 ft Mounting Height, 0.5 ft. grid
Value in footcandles



SP-201-18CF
1075 Initial Lumens
1.0 ft Mounting Height, 0.5 ft. grid
Value in footcandles



Luminaire Dimensions

Luminaire	A		B		C		D		E		Weight	
	Inch	mm	Inch	mm	Inch	mm	Inch	mm	Inch	mm	lbs.	kg
SP-200	9.00	229	3.50	90	3.50	90	0.69	17	4.19	106	3.64	1.6
SP-201	9.00	229	3.50	90	3.50	90	1.00	25	4.50	114	3.64	1.6
SP-203	9.00	229	3.50	90	3.50	90	1.00	25	4.50	114	3.64	1.6
SP-204	9.00	229	3.50	90	3.50	90	1.00	25	4.50	114	3.64	1.6

