

SP

- Corridors**
- Walkways**
- Accent and**
- General Lighting**



SP-215



SP-214



SP-216



SP-217

Specifications

UL cUL ADA

- Certifications** The fixture shall be UL listed to U.S. and Canadian safety standards for wet locations and concrete pour. The fixture shall meet ADA requirements.
- Housing** The housing is recessed, water-tight, die-cast, copper free aluminum for corrosion resistance in concrete applications. Includes four 1/2" NPT conduit entries and ample wiring compartment for through wiring. Provision for thermal protection is supplied.
- Ballast** HID ballasts are HPF core and coil. Fluorescent ballasts 26/32/42 watt CF are electronic, universal voltage 120-277V, 50 or 60 Hz. All ballasts are factory wired and tested, mounted to a removable tray with quick disconnects, HPF.
- Lens/Optics** Specular aluminum segmented reflector assembly.
- Trim Ring/ Face Plate** SP-214/215 trim ring and SP-215 face plate are die-cast, copper-free aluminum for superior corrosion resistance. The SP-214 face plate is cast bronze.
- The SP-216/217 trim ring is polycarbonate, color-impregnated dark bronze finish. The face plate is natural cast bronze with finish to match fixture.
- Fixtures are supplied with a silicone gasket ensuring a positive, watertight seal. Louver provides 45° shielding.
- Finish** SP-214/215 is available in BK-BZ-WH. Thermoset polyester powdercoat electrostatically applied and bonded by heat fusion thermosetting. CC available upon request.

PROJECT
FIXTURE TYPE
CATALOG#

SP-214/215 216/217

 Some luminaires use fluorescent or high intensity discharge (HID) lamps that contain small amounts of mercury. Such lamps are labeled "Contains Mercury" and/or with the symbol "Hg." Lamps that contain mercury must be disposed of in accordance with local requirements. Information regarding lamp recycling and disposal can be found at www.lamprecycle.org

Product Order Guide

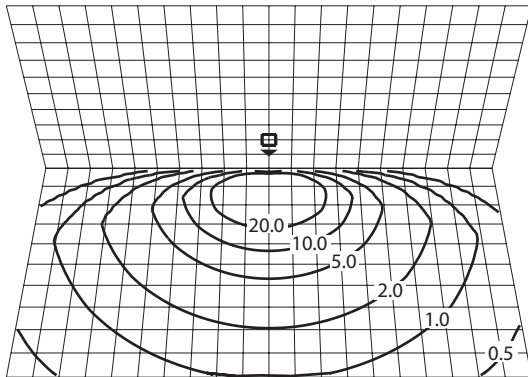
Series	Max Watts	Lamp Type	Voltage	Finish ²	Options
SP-214/215	70 MH	E-17	120	BK Black	P1 Thermal Protector
216/217	70 HPS	E-17	277	BZ Bronze	MM Masonry Mounting Kit
	42 CF ³	CF		WH White	NS New Stud Wall Mounting Kit
	50 LV ⁴	T4	120/12	CC Custom	ES Existing Hollow Wall Mounting Kit
	60 INC	A19	120	SP-216/217 Cast Bronze	

- 1 Thermal protector is required for installations in drywall, plaster, wood or other non-masonry materials with the exception of fluorescent and LED lamping and must be ordered as an option.
- 2 Consult factory for other colors and voltages.
- 3 Compact fluorescent lamp base options: 26W CF-GX24q-3, 32W CF-GX24q-3, 42W CF-GX24q-4.
- 4 T4 base is GY6.35.

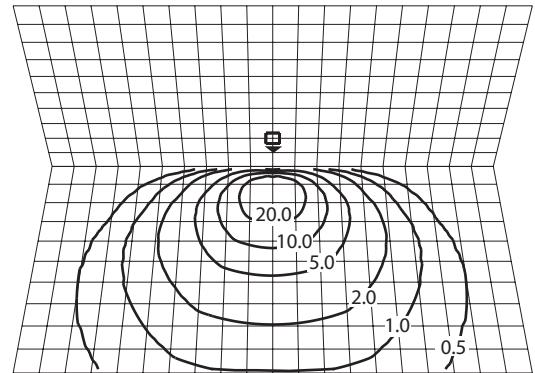
Example: SP-215-70MH-120-BK-P-NS

Photometric Data

SP-214-70MH
5900 Initial Lumens
2.0 ft Mounting Height, 1ft. grid
Value in footcandles



SP-214-42CF
2750 Initial Lumens
2.0 ft Mounting Height, 1ft. grid
Value in footcandles



Luminaire Dimensions

Luminaire	A		B		C		D		E		Weight	
	Inch	mm	Inch	mm	Inch	mm	Inch	mm	Inch	mm	lbs.	kg
SP-214	12.36	314	8.34	212	5.75	146	0.67	17	6.41	163	8.0	3.6
SP-215	12.36	314	8.34	212	6.10	155	1.10	28	6.41	163	8.0	3.6
SP-216	12.36	314	8.34	212	5.75	146	0.67	17	6.41	163	8.0	3.6
SP-217	12.36	314	8.34	212	6.10	155	1.10	28	6.41	163	8.0	3.6

