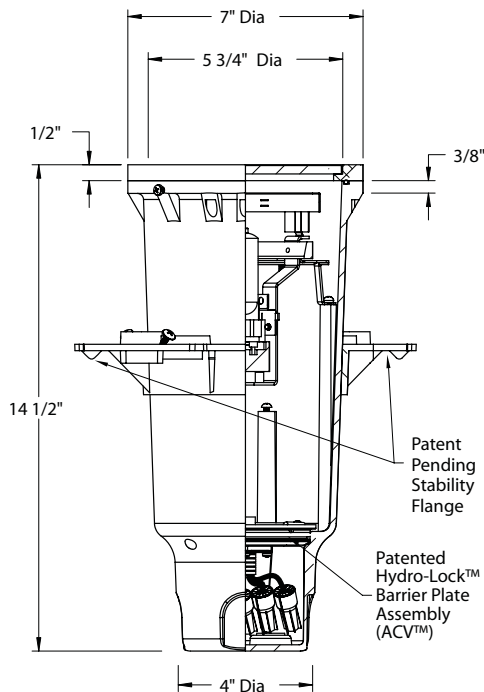
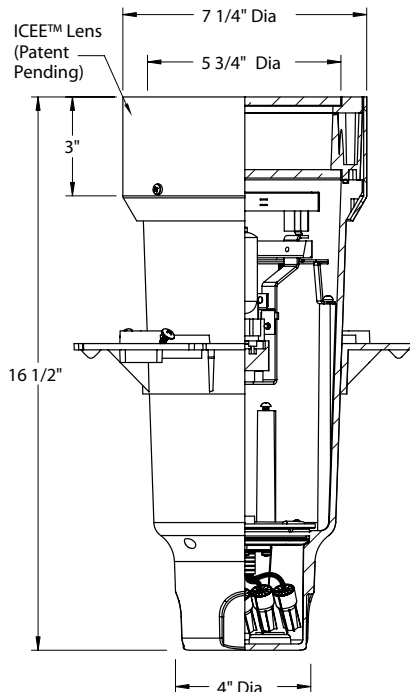


PROJECT:	
TYPE:	

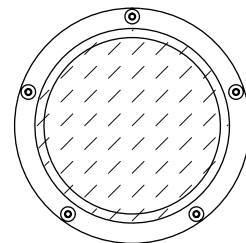
**SIDE VIEW**



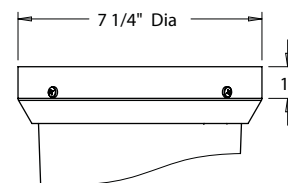
**SIDE VIEW WITH ICEE™ LENS OPTION**



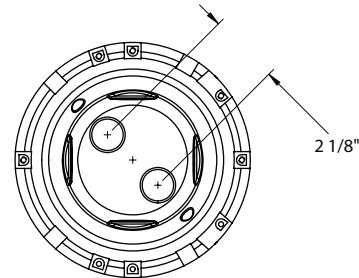
**FACEPLATE**



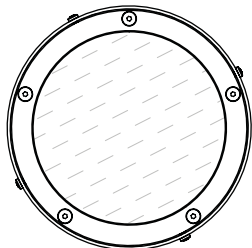
**TOP SIDE VIEW**



**BOTTOM VIEW**



**ICEE™ LENS FACEPLATE**



**SPECIFICATIONS**

**GreenSource Initiative™**

Metal and packaging components are made from recycled materials. Manufactured using renewable solar energy, produced onsite. Returnable to manufacturer at end of life to ensure cradle-to-cradle handling. Packaging contains no chlorofluorocarbons (CFC's). RoHs compliant.

**Fixture Housing**

Corrosion-free composite, made from high strength, thermoformed, sheet molded polyester compound. Glass reinforced, flame retardant and UV stabilized. (2) Bottom-Entry, 3/4" NPT female conduit entries with knockout plugs and (4) side flats for 1/2" or 3/4" conduit adapters.

**Stability Flange (Pat. Pend)**

Corrosion-free composite flange projects into installation substrate to reinforce housing stability. Integral REBAR saddles simplify installation onto concrete form. (4) Orthogonal bosses permit use of 1/2" PCV conduit or EMT to simplify vertical position and leveling of housing. Pre-set self-tapping screws anchor housing at proper elevation.

**Aiming**

Dual axis OptiLock® stainless steel aiming bracket rotates 360° and provides vertical adjustment up to 14° from nadir. Positive lock action ensures optical orientation.

**Socket**

Specification grade ceramic body lamp holder rated for 5kV starting pulse. G12 bi-pin base, nickel-plated contacts and stainless steel, heat resistant lamp retaining clips.

**Remote Ballast**

For use with remote metal halide ballast. See ballast technical data to determine lamp-to-ballast distance and wiring requirements prior to detailing field installation of any remote wiring.

**Wiring / Connectors**

Teflon® coated wire, 18 gauge, 600V, 250°C rated and certified to UL1659 standard. OptiLock® and gear tray quick disconnects. Patented HydroLock® with anti-siphon valve (ASV™) wireway. (3) Water-Tight connectors supplied for line connection. Maximum (2) #10 & (1) #18. Minimum (1) #12 & (1) #18.

**Water Management**

Self Evacuating Airtight Lamp Module (S.E.A.L.™). IP-68 rated, vacuum sealed enclosure. Patented Anti-Condensation Valve (ACV™) eliminates condensation from optical chamber. High temperature silicone 'O' Ring at faceplate. Patented HydroLock® technology provides fail safe water barrier between junction box and interior components. Anti-siphon valve (ASV™) prevents "wicking" through conductor insulation.

**Lens**

High heat, shock resistant, tempered 1/4" borosilicate flat glass lens. Suitable for walk-over and drive-over applications.

**ICEE™ Lens Option (Pat. Pend)**

ICEE™ (Interstice Cooling Evacuated Enclosure) is a significant advancement in the science of temperature management. Effectively reduces surface lens temperatures without compromising lumen output or optical control. Increases overall fixture depth by 2". Available with aluminum faceplates only. Supplied with 5-3/4" dia. lens only. Includes Concrete Pour Collar.

**Faceplate**

Solid, 1/2" machined 6061T6 aluminum with (5) black oxide, captive, stainless steel mounting screws. Faceplate options include solid, 1/2" machined brass and solid, 1/2" machined stainless steel.

**Finish**

StarGuard® (Pat. Pend), a 15 stage, chromate-free process cleans and conversion coats aluminum components prior to application of Class 'A' TGIC polyester powder coating. Brass components are available in powder coat or handcrafted metal finish. Stainless steel components are available in handcrafted metal finish. RoHs compliant.

**Listings**

IP-68 Rated, ARL and CSA Listed.



\*Teflon is a registered trademark of DuPont Corporation

<b>B-K LIGHTING</b>	40429 Brickyard Drive • Madera, CA 93636 • USA	SUBMITTAL DATE	DRAWING NUMBER
	559.438.5800 • FAX 559.438.5900	4-24-09	SUB-1358-00
	www.bklighting.com • info@bklighting.com		