

## PAR30/38 Metal Halide - Remote Ballast

<b>PROJECT:</b>	
<b>TYPE:</b>	
<b>CATALOG NUMBER:</b>	
<b>LAMP(S):</b>	
<b>NOTES:</b>	

### CATALOG NUMBER LOGIC

**Example**    **MA** - **PAR3035** - **60/60** - **SAP** - **9/10** - **11/11** - **DRM-H35-MT**

Series    **MA** - Mammoth Series™

Source    **PAR3035** - PAR-30 Metal Halide (35W)    **PAR3870** - PAR-38 Metal Halide (70W)    **PAR38150** - PAR-38 Metal Halide (150W)  
**PAR3070** - PAR-30 Metal Halide (70W)    **PAR38100** - PAR-38 Metal Halide (100W)

Lamp    **0** - By Others    **66** - 70 PAR38/MH/SP(70W) 15° Spot    **71** - 100 PAR38/MH/WFL(100W) 65° Wide Flood  
**60** - 35 PAR30L MH/SP(35W) 10° Spot    **67** - 70 PAR38/MH/FL(70W) 30° Flood    **72** - 150 PAR38/MH/SP(150W) 20° Spot  
**61** - 35 PAR30L MH/FL(35W) 30° Flood    **68** - 70 PAR38/MH/WFL(70W) 65° Wide Flood    **73** - 150 PAR38/MH/FL(150W) 35° Flood  
**62** - 70 PAR30L MH/SP(70W) 10° Spot    **69** - 100 PAR38/MH/SP(100W) 15° Spot    **74** - 150 PAR38/MH/WFL(150W) 65° Wide Flood  
**63** - 70 PAR30L MH/FL(70W) 40° Spot    **70** - 100 PAR38/MH/FL(100W) 30° Flood

Finish    **Aluminum Finish**

Powder Coat Color	Satin	Wrinkle
Bronze	<b>BZP</b>	<b>BZW</b>
Black	<b>BLP</b>	<b>BLW</b>
White (Gloss)	<b>WHP</b>	<b>WHW</b>
Aluminum	<b>SAP</b>	—
Verde	—	<b>VER</b>

*Also available in Premium Finishes  
See submittal SUB-1439-00 for Premium Finishes*

Lens Type    **9** - Clear (Standard)    **13** - Rectilinear\*  
**10** - Spread\*

Shielding    **11** - Honeycomb Baffle\*

Ballast Style and Input Voltage

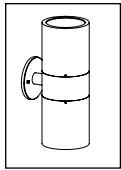
- DRM-H35M-120 or 277** - (35W) Screw Cover Remote Wall Mount Magnetic
- DRM-H35E-MT\*\*** - (35W) Screw Cover Remote Wall Mount Electronic
- DRM-H70M-120 or 277** - (70W) Screw Cover Remote Wall Mount Magnetic
- DRM-H70E-MT\*\*** - (70W) Screw Cover Remote Wall Mount Electronic
- DRM-H100M-120 or 277** - (100W) Screw Cover Remote Wall Mount Magnetic
- DRM-H100E-MT\*\*** - (100W) Screw Cover Remote Wall Mount Electronic
- DRM-H150M-120 or 277** - (150W) Screw Cover Remote Wall Mount Magnetic

\* Accommodates up to 2 Lens/Shielding media  
 \*\* MT = 120/208/240/277 Multi Tap

### LAMP DATA

BK No.	Lamp Watts	Description	Rated Life	Center Beam Candlepower	BK No.	Lamp Watts	Description	Rated Life	Center Beam Candlepower
60	35	35PAR30/MH/SP	9,000	44,000	69	100	100PAR38/MH/SP	12,500	65,000
61	35	35PAR30/MH/FL	9,000	7,400	70	100	100PAR38/MH/FL	12,500	24,000
62	70	70PAR30/MH/SP	11,000	68,000	71	100	100PAR38/MH/WFL	8,500	4,500
63	70	70PAR30/MH/FL	10,000	10,000	72	150	150PAR38/MH/SP	8,500	34,000
66	70	70PAR38/MH/SP	12,500	42,000	73	150	150PAR38/MH/FL	8,500	17,000
67	70	70PAR38/MH/FL	12,500	18,000	74	150	150PAR38/MH/WFL	8,500	7,500
68	70	70PAR38/MH/WFL	8,500	3,000					

<b>B-K LIGHTING</b>	40429 Brickyard Drive • Madera, CA 93636 • USA 559.438.5800 • FAX 559.438.5900 www.bklighting.com • info@bklighting.com	SUBMITTAL DATE 07-14-08	DRAWING NUMBER SUB-1819-00
---------------------	---	----------------------------	-------------------------------

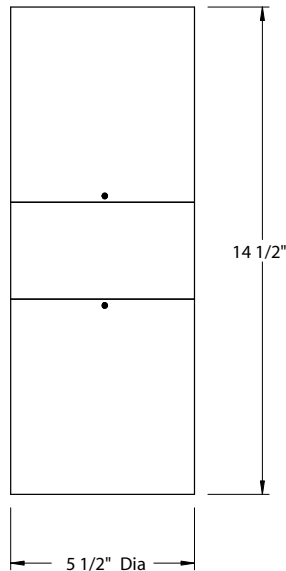


# MAMMOTH™

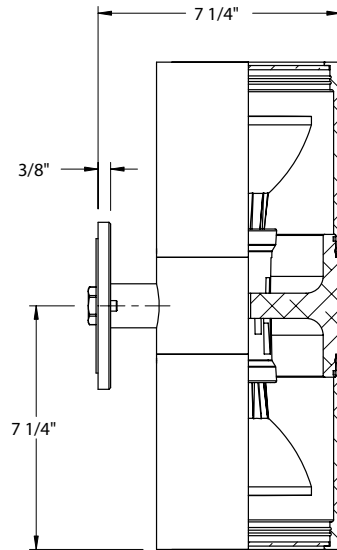
## PAR30/38 Metal Halide - Remote Ballast

PROJECT:	
TYPE:	

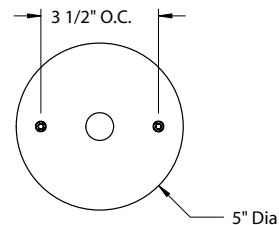
**FRONT VIEW**



**SIDE VIEW**



**CANOPY DETAIL**



## SPECIFICATIONS

### GreenSource Initiative™

Metal and packaging components are made from recycled materials. Manufactured using renewable solar energy, produced onsite. Returnable to manufacturer at end of life to ensure cradle-to-cradle handling. Packaging contains no chlorofluorocarbons (CFC's). RoHS compliant.

### Body

Fully machined from solid, copper-free aluminum. Unibody design provides enclosed, water-proof wireway and heat sink to maximize lamp life. High temperature, silicone 'O' Ring provides water-tight seal.

### Cap

Machined from copper-free aluminum. Flush mounted lens. Accommodates up to (2) lens or louver media per lamp.

### Canopy

5" dia. Machined from copper-free aluminum. Includes Universal Mounting Ring. For use with 4" recessed octagon box (by others).

### Lens

Shock resistant, tempered, clear glass lens is factory adhered to fixture cap and provides hermetically sealed optical compartment.

### Lamp

For use with (2) 70 watt maximum, PAR30L or (2) 150 watt maximum, PAR38 metal halide lamps.

### Remote Ballast

For use with (2) remote metal halide ballasts. See ballast technical data (SUB-1815) to determine lamp-to-ballast distance and wiring requirements prior to detailing field installation of any remote wiring.

### Socket

Specification grade ceramic body lamp holder rated for 4kV starting pulse. Medium base, nickel-plated copper alloy lamp grip and screw shell. Corrosion resistant coil spring under center contact.

### Wiring

Teflon® coated wire, 18AWG, 600V, 250° C rated and certified to UL 1659 standard. Leads extend 6"

beyond canopy.

### Hardware

Tamper-resistant, stainless steel hardware. Mounting screws are additionally black oxidized.

### Finish

StarGuard® (Pat. Pend.), a 15 stage chromate-free process cleans and conversion coats aluminum components prior to application of Class 'A' TGIC polyester powder coating.

### Warranty

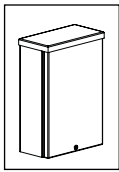
5 year limited warranty.

### Listings

ARL and CSA listed to UL 1598 standard. Suitable for use in wet locations.



\*Teflon is a registered trademark of DuPont Corporation.

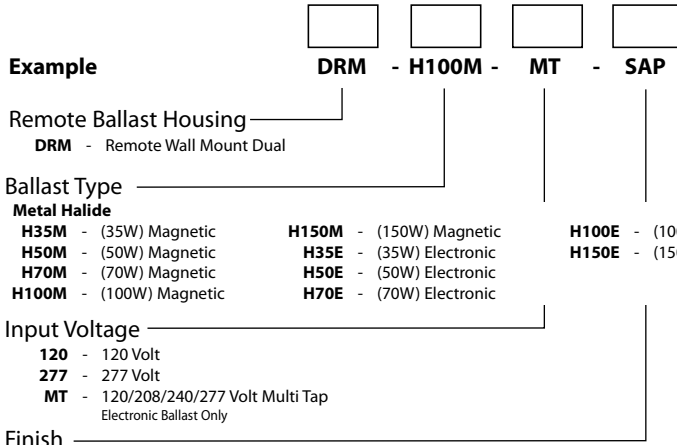


Surface Mount Dual

# Dual Remote Ballast Housing

<b>PROJECT:</b>	
<b>TYPE:</b>	
<b>CATALOG NUMBER:</b>	
<b>LAMP(S):</b>	
<b>NOTES:</b>	

## CATALOG NUMBER LOGIC



### Aluminum Finishes

Powder Coat Color	Satin	Wrinkle
Bronze	<b>BZP</b>	<b>BZW</b>
Black	<b>BLP</b>	<b>BLW</b>
White (Gloss)	<b>WHP</b>	<b>WHW</b>
Aluminum	<b>SAP</b>	—
Verde	—	<b>VER</b>

Also available in Premium Finishes. See submittal SUB-1439-00 for Premium Finishes.

## BALLAST ELECTRICAL DATA

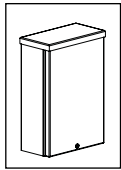
BALLAST	TYPE	INPUT VOLTS	INPUT WATTS	INPUT CURRENT	CIRCUIT TYPE	MINIMUM START TEMPERATURE	REMOTE BALLAST WIRE LENGTH
H35M	Magnetic	120	53	1.10	HX-HPF	-20° F	50' Max.
H35M	Magnetic	277	56	0.40	HX-HPF	-20° F	50' Max.
H50M	Magnetic	120	72	1.00	HX-HPF	-20° F	50' Max.
H50M	Magnetic	277	72	0.50	HX-HPF	-20° F	50' Max.
H70M	Magnetic	120	90	1.90	HX-HPF	-20° F	50' Max.
H70M	Magnetic	277	90	0.80	HX-HPF	-20° F	50' Max.
H100M	Magnetic	120	129	1.50	HX-HPF	-20° F	50' Max.
H100M	Magnetic	277	118	0.35	HX-HPF	-20° F	50' Max.
H150M	Magnetic	120	185	1.90	HX-HPF	-20° F	50' Max.
H150M	Magnetic	277	173	0.75	HX-HPF	-20° F	50' Max.
H20E	Electronic	120	22	0.20	HPF	-5° F	Integral Only
H20E	Electronic	277	22	0.09	HPF	-5° F	Integral Only
H35E*	Electronic	120	44	0.39	HPF	-5° F	15' Max.
H35E*	Electronic	277	44	0.17	HPF	-5° F	15' Max.
H50E*	Electronic	120	58	0.49	HPF	-5° F	15' Max.
H50E*	Electronic	277	58	0.21	HPF	-5° F	15' Max.
H70E*	Electronic	120	79	0.67	HPF	-5° F	15' Max.
H70E*	Electronic	277	79	0.29	HPF	-5° F	15' Max.
H100E*	Electronic	120	110	0.90	HPF	-5° F	15' Max.
H100E*	Electronic	277	110	0.41	HPF	-5° F	15' Max.
H150E*	Electronic	120	167	1.40	HPF	-22° F	15' Max.
H150E*	Electronic	277	167	0.61	HPF	-22° F	15' Max.
<b>*Ballast Manufacturer's requirement: Wire used must only be 18 gauge, SF2 or SFF2, and be in a dedicated metal conduit of 1/2" I.D. Minimum, per lamp.</b>							
S35M	Magnetic	120	46	0.80	RX-HPF	-40° F	15' Max.
S50M	Magnetic	120	66	1.00	HX-HPF	-40° F	35' Max.
S50M	Magnetic	277	66	0.50	HX-HPF	-40° F	35' Max.
S70M	Magnetic	120	91	1.40	HX-HPF	-40° F	35' Max.
S70M	Magnetic	277	91	0.70	HX-HPF	-40° F	35' Max.

# B-K LIGHTING

40429 Brickyard Drive • Madera, CA 93636 • USA  
 559.438.5800 • FAX 559.438.5900  
 www.bklighting.com • info@bklighting.com

SUBMITTAL DATE  
07-14-08

DRAWING NUMBER  
SUB-1815-00

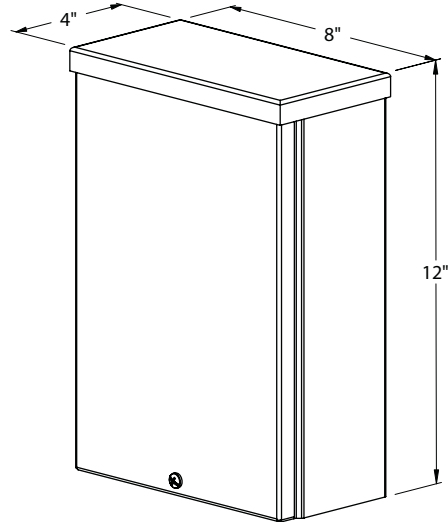


Surface Mount Dual

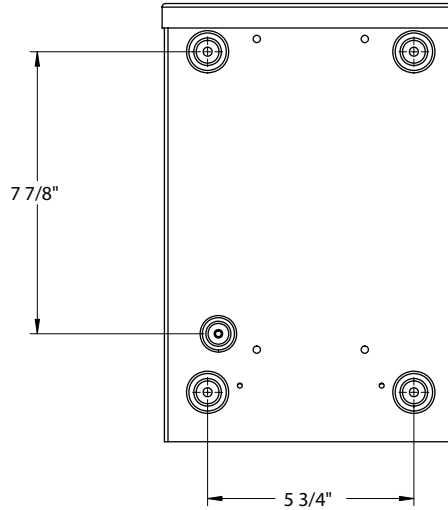
# Dual Remote Ballast Housing

PROJECT:	
TYPE:	

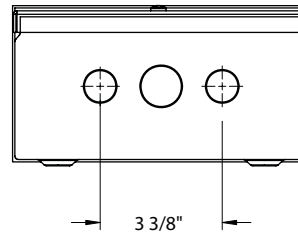
**SIDE VIEW**



**BACK VIEW**



**END VIEW**



## SPECIFICATIONS

### Fixture Housing

NEMA Type 3R. Steel screw cover box with Polyester Powder coat finish.

### Ballast Assembly

Class H Insulated, High Power Factor, Magnetic (120VAC or 277 VAC) or Multi-Tap Electronic (120/208/240/277 VAC) Ballast (Metal Halide Only).

### Wiring / Connectors

Teflon coated wire, 18 gauge, 600V, 2500C rated and certified to UL1659 standard. Pre-wired and labeled terminal strip.

### Finish

StarGuard® (Pat. Pend), a 15 stage, chromate-free process cleans and conversion coats aluminum components prior to application of Class 'A' TGIC polyester powder coating.

### Listings

ARL and CSA Listed.



\*Teflon is a registered trademark of DuPont Corporation