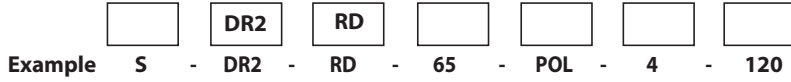


T-4 Halogen • Remote Transformer (RD)

<b>PROJECT:</b>	
<b>TYPE:</b>	
<b>CATALOG NUMBER:</b>	
<b>LAMP(S):</b>	
<b>NOTES:</b>	

**CATALOG NUMBER LOGIC**



Material ————  
**Blank** - Aluminum    **B** - Brass    **S** - Stainless Steel

Faceplate ————  
**DR2** - Drive Star (T-4 Halogen)

Housing ————  
**RD** - Requires Remote Transformer

Lamp Type ————  
**0** - By Others  
**20** - (20W) T-4/CL-12V  
**64** - (35W) T-4/CL-12V  
**65** - (50W) T-4/CL-12V

Finish ————

Aluminum & Brass Faceplates			Brass Faceplates	
Powder Coat Color	Satin	Wrinkle	Machined	MAC
Bronze	<b>BZP</b>	<b>BZW</b>	Polished	<b>POL</b>
Black	<b>BLP</b>	<b>BLW</b>	Mitique™	<b>MIT</b>
Stainless Faceplates				
White (Gloss)	<b>WHP</b>	<b>WHW</b>	Machined	<b>MAC</b>
Aluminum	<b>SAP</b>	—	Polished	<b>POL</b>
Verde	—	<b>VER</b>	Brushed	<b>BRU</b>

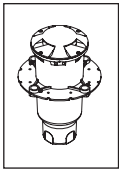
Also available in Premium Finishes. See submittal SUB-1439-00 for Premium Finishes.

Optical Openings ————  
**1** - Single    **2** - 2 at 180°    **4** - 4 at 90°

Input Voltage ————  
**Blank** - Remote Transformer (RD & RS Housing)  
**120** - 120 VAC Input  
**277** - 277 VAC Input

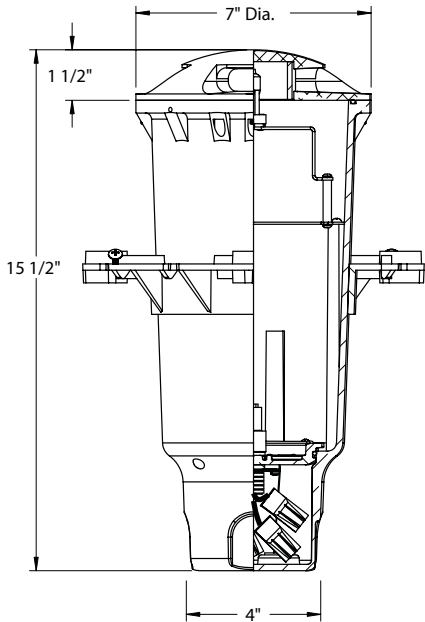
**LAMP DATA**

BK No.	Lamp Watts	Description
20	20	T-4/CL-12V
64	35	T-4/CL-12V
65	50	T-4/CL-12V

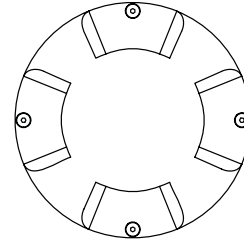


<b>PROJECT:</b>	
<b>TYPE:</b>	

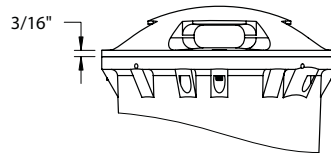
**SIDE VIEW**



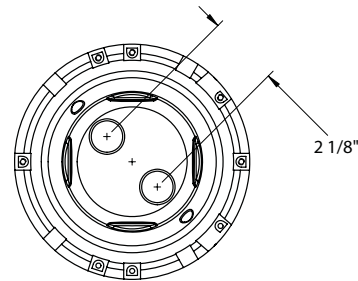
**FACEPLATE**



**TOP SIDE VIEW**



**BOTTOM VIEW**



## SPECIFICATIONS

### GreenSource Initiative™

Metal and packaging components are made from recycled materials. Manufactured using renewable solar energy, produced onsite. Returnable to manufacturer at end of life to ensure cradle-to-cradle handling. Packaging contains no chlorofluorocarbons (CFC's). RoHs compliant.

### Fixture Housing

Corrosion-free composite, made from high strength, thermoformed, sheet molded polyester compound. Glass reinforced, flame retardant and UV stabilized. (2) Bottom-Entry, 3/4" NPT female conduit entries with knockout plugs and (4) side flats for 1/2" or 3/4" conduit adapters.

### Stability Flange (Pat. Pend)

Corrosion-free composite flange projects into installation substrate to reinforce housing stability. Integral REBAR saddles simplify installation onto concrete form. (4) Orthogonal bosses permit use of 1/2" PCV conduit or EMT to simplify vertical position and leveling of housing. Pre-set self-tapping screws anchor housing at proper elevation.

### Optics

Fixed position bracket ensures a highly efficient, direct component contribution by the lamp to the lens. 360° stainless steel cutoff shield provides field adjustable brightness control.

### Socket

Specification grade ceramic body miniature bi-pin quartz lamp holder.

### Wiring / Connectors

Teflon® coated wire, 18 gauge, 600V, 250°C rated and certified to UL1659 standard. Features OptiLock® and gear tray quick disconnects. Patented HydroLock® with anti-siphon valve (ASV™) wireway. (3) Water-Tight connectors supplied for line connection. Maximum (2) #10 & (1) #18. Minimum (1) #12 & (1) #18.

### Water Management

Self Evacuating Airtight Lamp Module (S.E.A.L.™). IP-68 rated, vacuum sealed enclosure. Patented Anti-Condensation Valve (ACV™) eliminates condensation from optical chamber. High temperature silicone 'O' Ring at faceplate. Patented HydroLock® technology provides fail safe water barrier between junction box and interior components. Anti-siphon valve (ASV™) prevents "wicking" through conductor insulation.

### Lens

High heat, shock resistant, 1/8" etched Pyrex® glass lens. Suitable for walk-over and drive-over applications.

### Faceplate

Solid, 1-1/2" machined 6061T6 aluminum with (5) black oxide, captive, stainless steel mounting screws. Faceplate options include solid, 1-1/2" machined brass and solid, 1-1/2" machined stainless steel.

### Finish

StarGuard® (Pat. Pend), a 15 stage, chromate-free process cleans and conversion coats aluminum components prior to application of Class 'A' TGIC polyester powder coating. Brass components are available in powder coat or handcrafted metal finish. Stainless steel components are available in handcrafted metal finish. RoHs compliant.

### Listings

IP-68 Rated, ARL and CSA Listed.



\*Teflon is a registered trademark of DuPont Corporation

<b>B-K LIGHTING</b>	40429 Brickyard Drive • Madera, CA 93636 • USA 559.438.5800 • FAX 559.438.5900 www.bklighting.com • info@bklighting.com	SUBMITTAL DATE 7-31-08	DRAWING NUMBER SUB-1366-00
	Precision <sup>2</sup> is covered in whole or in part by U.S. Patent No. 7,033,038; U.S. Patent No. 6,254,258 B1; U.S. Patent No. 7,249,867 B2; U.S. Patent No. 7,370,988 B2		