

CATALOG NUMBER LOGIC

Example: TT - 64 - SAP

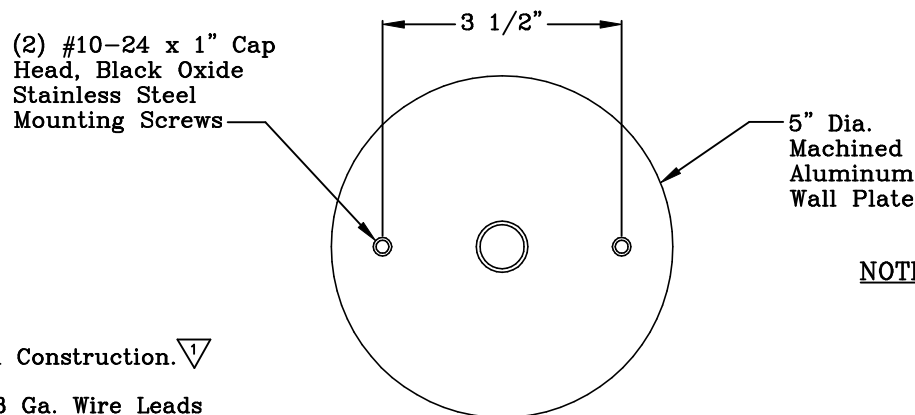
Series:

Lamp Type:

- 0 - By Others
- 20 - Q20T4/CL-12V(20W)
- 64 - Q35T4/CL-12V(35W)
- 65 - Q50T4/CL-12V(50W)

Finish:

| Powdercoat | Satin | Wrinkle |
|---------------|-------|---------|
| Bronze | BZP | BZW |
| Black | BLP | BLW |
| White (Gloss) | WHP | WHW |
| Aluminum | SAP | --- |
| Verde | --- | VER |



For Remote Transformers
See Sheets TRSS Series, TR Series,
Power Pipe, Power Pipe II or Power
Canopy in Accessory Section.

NOTE: Fixture May Also
Be Installed in the
Downlight Position.

Features:

All Precision Machined Aluminum Construction. ▽

MR16 Lamp Holder With 250°C, 18 Ga. Wire Leads
(Leads Extend 6" Beyond Mounting Knuckle).

Utilizes any T4 Lamp Up To 50 Watts.

Completely Sealed Optical Compartment, Clear Tempered
Glass Lens, Factory Sealed.

Tamperproof Design, Utilizes a Single, Flush Mtd. Hex Screw.

Polyester Powdercoat Finishes Standard, (Specify).

Canopy Detail

▽ Available in Machined Brass. Prefix Series Designation
With 'B', Specify 'NAT' for Natural Brass,
'POL' for Polished Brass, 'MIT' for Mitique Brass
or Powdercoat Color in Finish Section of the
Catalog Number. See the 'B-K Brass' Brochure
for Additional Details.



| | | |
|---------------|---------------------------|-------------------------------|
| TETON SERIES™ | | |
| 3/03 | B-K LIGHTING, INC. | DRAWING NUMBER SUB-1193-01 |