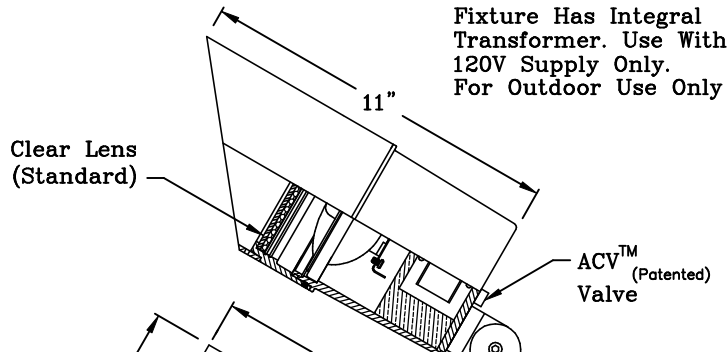
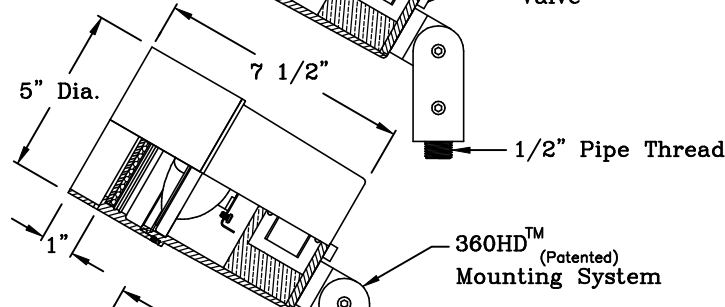


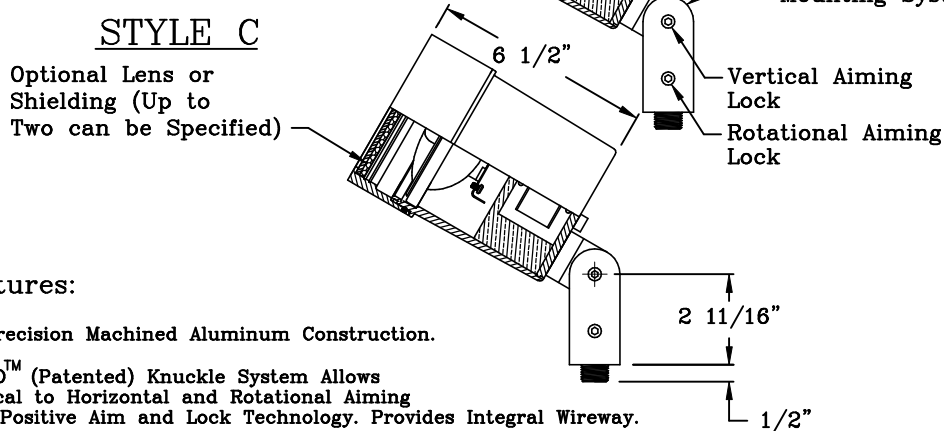
STYLE A



STYLE B



STYLE C



Fixture Has Integral Transformer. Use With 120V Supply Only. For Outdoor Use Only

CATALOG NUMBER LOGIC

EXAMPLE: WH - 42 - BLP - 9 - 11 - A

Series: _____
Lamp Type: _____

- 0 - By Others
- 25 - 4414 PAR36(18W), 50°/25° Flood
- 26 - 36 PAR36/CAP/VNSP(36W), 5° V.N. Spot
- 27 - 36 PAR36/CAP/NSP(36W), 13° N. Spot
- 28 - 36 PAR36/CAP/WFL(36W), 30° W. Flood
- 29 - 50 PAR36/Q/VNSP(50W), 5° V.N. Spot
- 30 - 50 PAR36/NSP(50W), 8° N. Spot
- 31 - 50 PAR36/WFL(50W), 30° W. Flood
- 35 - 35 AR111/4/VNSP(35W), 4° V.N. Spot
- 36 - 35 AR111/8/SP(35W), 8° Spot
- 37 - 35 AR111/25/FL(35W), 25° Flood
- 38 - 50 AR111/4/VNSP(50W), 4° V.N. Spot
- 39 - 50 AR111/8/SP(50W), 8° Spot
- 40 - 50 AR111/25/FL(50W), 25° Flood
- 41 - 75 AR111/8/SP(75W), 8° Spot
- 42 - 75 AR111/25/FL(75W), 25° Flood
- 43 - 75 AR111/45/WFL(75W), 45° W. Flood

Finish: _____

Powdercoat	Satin	Wrinkle
Bronze	BZP	BZW
Black	BLP	BLW
White (Gloss)	WHP	WHW
Aluminum	SAP	—
Verde	—	VER

Lens Type: _____
 9 - Clear (Standard)
 10 - Spread
 13 - Rectilinear

Shielding: _____
 11 - Honeycomb Baffle

Cap Style: _____
 A - 45°
 B - 90°
 C - Flush

Features:

- All Precision Machined Aluminum Construction.
- 360HD™ (Patented) Knuckle System Allows Vertical to Horizontal and Rotational Aiming with Positive Aim and Lock Technology. Provides Integral Wireway.
- PAR36/AR111 Spade Terminal Crimp Connections With 250°C, 18 Ga. Wire Leads (Leads Extend 6" Beyond Mounting Knuckle).
- Utilizes any PAR36 or AR111 Lamp, up to 75 Watts.
- Integral Class H 120V to 12V Transformer Potted and Sealed.
- Completely Sealed Optical Compartment, Clear Tempered Glass Lens, Factory Sealed.
- Cushioned Lamp Seat to Eliminate Lamp Vibration.
- Tamperproof Design, Utilizes Three Hex Head Set Screws.
- ACV™ (Patented) Valve System.
- Polyester Powdercoat Finishes Standard. (Specify)

