



PROJECT INFORMATION

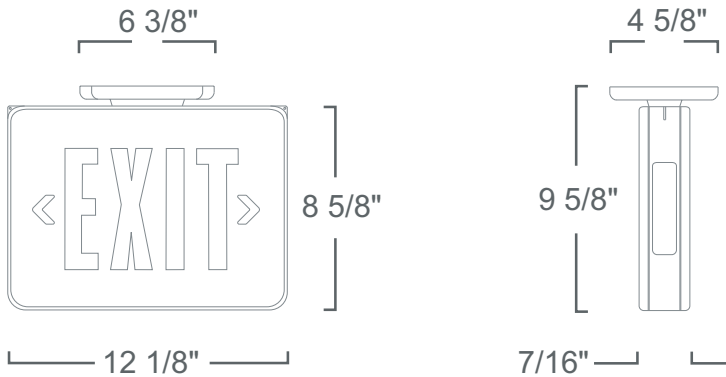
Type :

Project :

Catalog # :

LX850 - ALUMINUM LED EXIT SIGN- NO BATTERY

EXIT SIGNS



FEATURE(S):



SPECIFICATION

120V LED

FEATURES

- Compact, low profile design in black/brushed metal finish.
- LED 120/277V Exit sign for economy applications. LED lamp life is 25 years.
- Double or single face configuration.
- Single blank face plate included for single face applications.
- 6" letters with high color diffuser panel.
- Very energy efficient (Less than 2 watts for red letters and less than 1 watt for green letters).
- Completely self-contained. Installs in minutes with only a screwdriver.
- Universal mounting canopy for end, top, or back mount installations. Consult factory.
- Die cast aluminum brushed metal housing.
- Easily removable/re-attachable (snap-out) arrow covers to point direction(s).
- Nickel Cadmium battery. 90 minutes battery back-up capacity.
- Available in 1-circuit or 2-circuit configurations (LX850 model only).
- Dual Voltage AC 120V/277V.
- UL/ETL listed.

OPERATION

Unit is constantly illuminated by normal AC power.

WARRANTY

The fixture carries a warranty for a period of one year to be free from defective material and workmanship.

Fixture Finish: Available in Thermo Plastic White, Black body/ Natural face plate, Die-Cast Black, Natural and Die-Cast White.

Faces: Available in Single and Double.

Letters: Available in Green and Red.

of Circuits: Available in 1-Circuit and 2-Circuit.

Accessories: Lamp included in packaging.

COMPATIBILITY

LT2780

SQUARE BEAM
PROJECTOR

Note: Electrical limitations on compatible items must be met.

ORDERING

ORDERING EXAMPLE : LX850BNG

LX850	FIXTURE FINISH	FACES	LETTERS	# OF CIRCUITS
LX850	Blank: Thermo Plastic White	Blank: Single	G : Green	Blank: 1-Circuit
	BN : Black body/ Natural face plate	-2 : Double	R : Red	-2 : 2-Circuit
	MB : Die-Cast Black			
	N : Natural			
	MW : Die-Cast White			