

LFCJ7010S - OLIVIA FLEXICURVE™ DIRECTIONAL HEADS

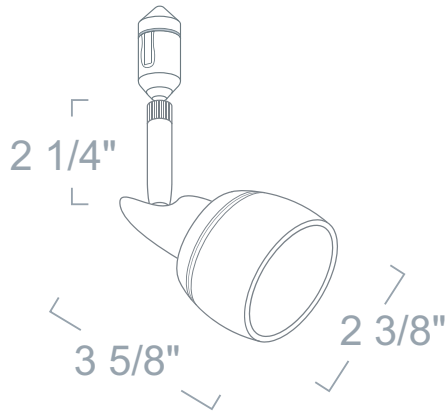


PROJECT INFORMATION

Type :

Project :

Catalog # :



FEATURE(S):



SPECIFICATION

12V 50W MR16 GX5.3/GY6.35

Application: Made of solid die-cast construction, these fixtures perfectly blend into contemporary surroundings to provide that high-tech sophisticated look. These sleek adjustable directional FlexiCurve heads are perfect for spot lighting, accenting and highlighting objects in the room. Utilizing popular reflectored halogen MR16 lamps, they project precise sharp beams with a warm brilliant light. They can accept color lenses and optical filters to ensure the user obtains the desired effect.

Connector: Comes standard with satin gray Flexicurve Rail connector. Can be made to fit on LITON brand 120V track and 12V SlimTrack. (Available with extended lead times - consult factory.)

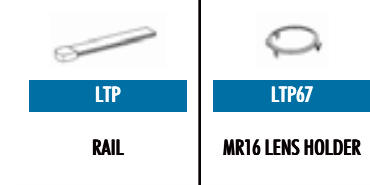
Socket: High Quality porcelain bi-pin socket with high temperature leads.

Adjustability Lamp can be tilted 361° degrees vertically and rotated 361° degrees horizontally.

Glass Color: Available in Amber, Blue and Frosted.

Labels: E.T.L. Listed

COMPATIBILITY



Note: Electrical limitations on compatible items must be met.

ORDERING

ORDERING EXAMPLE : LFCJ7010S-FR

LFCJ7010S GLASS COLOR

LFCJ7010S
-AM :Amber
-BL :Blue
-FR :Frosted