

## LRS14-2 - FROSTED DOME W/ REFLECTOR

6" COMPACT FLUORESCENT TRIMS - LH276-2 SERIES

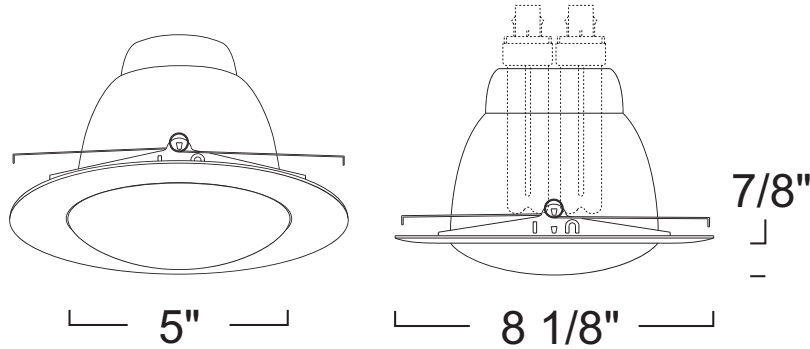


### PROJECT INFORMATION

Type :

Project :

Catalog # :



### FEATURE(S):



### SPECIFICATION

CFL (2) 9-18W Max DTT

**Application:** The Reflector Lensed trim optimizes lumen output, ensuring that all stray light is directed downward. Each shower trim has a clear reflector mounted inside the trim to create a more intense and focused light.

**Mounting** Steel Presure springs mounted on trim to ensure positive retention inside housing.

**Reflector:** Spun Aluminum Reflector Only available in Clear.

**Ring Finish:** Die-Formed Aluminum Trim Ring Available in White, Chrome, Gold, Natural, Copper and Mocha.

### COMPATIBILITY



LH276

STANDARD HOUSING  
2-LAMP



LH276R

REMODEL HOUSING 2-  
LAMP

Note: Electrical limitations on compatible items must be met.

### ORDERING

ORDERING EXAMPLE : LRS14-2MN-WL

LRS14-2	REFLECTOR	RING FINISH	RATING
LRS14-2	Blank:Clear	MW :White MC :Chrome MG :Gold MN :Natural MCO :Copper MO :Mocha	Blank:Damp Location -WL :Wet Location