

LWM-E364 - SLICER DECORATIVE WALL SCONCES

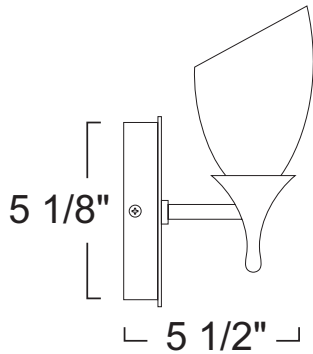


PROJECT INFORMATION

Type :

Project :

Catalog # :



SPECIFICATION

12V 50W MR16/T4 GX5.3/GY6.35

Application: Add a touch of "Glass" elegance to your design and make an architectural statement. These attractive glass wall mounts create a signature look to any environment.

Hardware: Satin Gray painted formed aluminum canopy and extension arm holds glass shade firmly in place. Fixture mounts to standard electrical boxes. All hardware included in product packaging.

Transformer: Solid state electronic transformer for voltage reduction and noiseless operation. 120V/60Hz input – 12V output. 50 VA max. load. Enclosed in surface mount dome shape metal canopy for monopoint installation. For remote transformer installation a slim profile canopy is available (LPR Series). For dimming, use electronic low voltage rated only dimming controls.

Glass Color: Available in White, Blue, Green and Yellow.

ORDERING

ORDERING EXAMPLE : LWM-E364-YL

LWM-E364	GLASS COLOR
LWM-E364	-W :White
	-BL :Blue
	-GR :Green
	-YL :Yellow