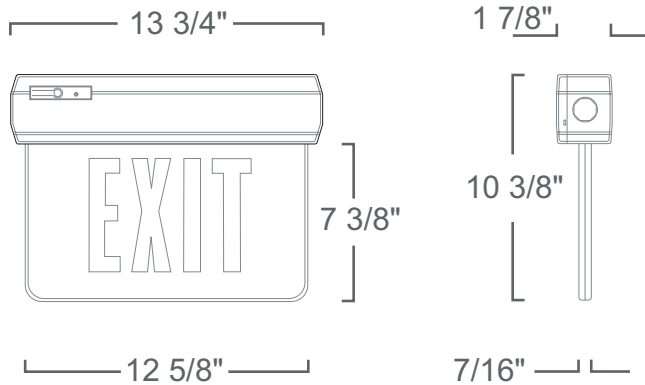


Type :

Project :

Catalog # :

## LX100 - TRANSPARENT SURFACE EXIT SIGN W/ BATTERY EXIT SIGNS



### FEATURE(S):



### COMPATIBILITY



LPO

PENDANT ASSEMBLY  
KIT

### SPECIFICATION

120V

#### FEATURES

- Available in green/red letters. Example: LX100SG (green) ; LX100SR (red).
- LED lamp life of 25+ years consumes 1.2W-1.5W single face.
- Universal mounting canopy for end, top, or back mount installations. Consult factory.
- Injection molded acrylic panels.
- Chevron directional indicators.
- Maintenance free Nickel Cadmium battery.
- Completely self-contained.
- Dual Voltage AC 120V/277V.
- AC only model available in 1-circuit or 2-circuit configurations.
- UL/ETL listed.

#### OPERATION

Unit is constantly illuminated by normal AC power.

#### WARRANTY

The fixture carries a warranty for a period of one year to be free from defective material and workmanship.

**Fixture Finish:** Available in White, Black and Natural.

**Faces:** Available in Single and Double.

**Letters:** Available in Green and Red.

**Accessories:** Lamp included in packaging.

Note: Electrical limitations on compatible items must be met.

### ORDERING

ORDERING EXAMPLE : LX100G

LX100	FIXTURE FINISH	FACES	LETTERS
LX100	<b>Blank:</b> White	<b>Blank:</b> Single	<b>G</b> :Green
	<b>B</b> :Black	<b>-2</b> :Double	<b>R</b> :Red
	<b>N</b> :Natural		