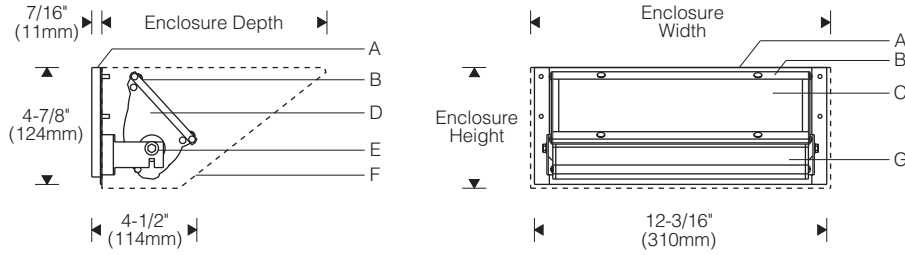
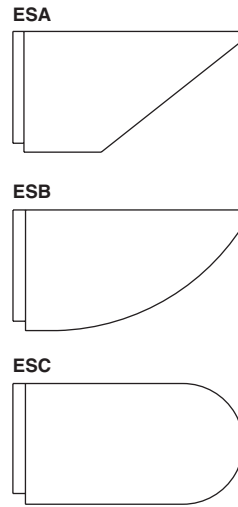


Base Unit 1:8 Scale

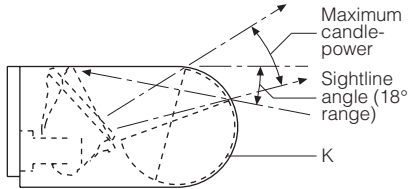


Enclosures 1:8 Scale

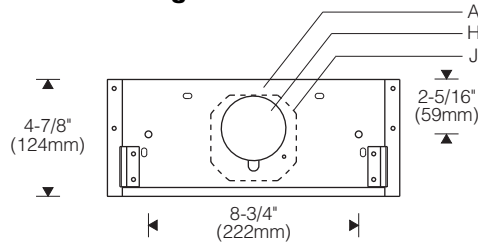


For enclosure dimensions, see ordering information on reverse side.

ESC Enclosure 1:8 Scale



Mounting Plate



Specifications

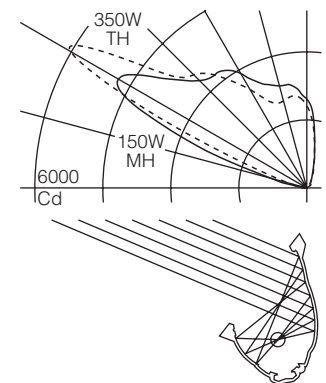
- | | | | |
|--|--|--|---|
| A Aluminum yoke/mounting plate (forms reveal at wall) | C Micro-prismatic tempered glass lens | F Sconce enclosure (ordered separately) | J Outlet box (by others) |
| B Overlapping aluminum door frame | D Stamped aluminum end plates | G Specular extruded aluminum reflector | K Rotating semi-cylindrical front (allows sightline and aiming angles to vary) |
| E Beveled spring washers | H Removable splice access cap | | |

Features

- Crisp geometric sconce enclosures compliment any space or design your own housing
- Unique ESC sconce - adjustable shielding and aiming
- Compact yet powerful - up to 150W ceramic metal halide, 350W IR halogen (equivalent to 500W)
- Non-corrosive - base unit is aluminum and stainless steel

Performance

Two parabolic reflector sections drive light across the ceiling from one edge. An elliptical section shields the lamp from normal viewing angles and redirects its light to a parabola. Glare is minimized and asymmetry of the beam is maximized resulting in high beam efficiency and superior surface uniformity.



For complete photometrics, visit www.elliptipar.com

Finish:

Bright clear anodized aluminum reflector with mill finish aluminum door and end plates; black yoke/mounting plate. (Enclosure finish specified separately.)

Painted surfaces - 6 stage pretreatment and electrostatically applied thermoset powder coat for stable, long lasting and corrosion resistant finish.

Reflector - extruded high purity aluminum with clear anodized specular finish. All luminaire hardware - stainless steel.

Mounting:

Yoke/mounting plate fastens to suitable structure over recessed outlet box, and supports enclosure (ordered separately).

For pendant mounting, yoke/mounting plate attaches to accessory pendant assembly (ordered separately).

Standard:

UL listed or CSA certified for damp locations. (Style 451 with gasketed lens recommended for damp locations; see Outdoor Section.) Suitable for upright orientation only.

Electrical:

Use 90°C wire for supply connections.

Tungsten halogen - recessed single contact (RSC) or DC bayonet lampholders retained with patented clamping supports for maximum heat dissipation.

Metal halide - G12 lampholder for use with single ended lamp. Remote encapsulated high reactance autotransformer ballast (35W and 70W) or electronic ballast. Electronic ballast provides improved voltage regulation, energy savings and automatic shut-off feature to eliminate end-of-life lamp cycling.

For complete ballast specifications, see Accessories Section.

Enclosure (ordered separately):

Seam welded, ground smooth cold rolled steel. Edges are rolled to eliminate "oil canning." Attaches to base unit forming a reveal at the wall to prevent light leaks and delineate the form. Thermoset powder coat finish.

ESC enclosure sidearms are brushed clear anodized aluminum. Rotatable semi-cylindrical front allows sightline angle to be adjusted from horizontal to 18° below horizontal.



To Order

Ensconce® Style 403

To form a Catalog Number

4 0 3 - -W - 0 0 - - - - -
1 **2** **3** **4** **5** **6** **7** **8**

1 Source

M = Metal halide
T = Tungsten halogen

2 Style

403 = Small Ensconce® base unit, **remote** ballast

3 Lamp

Lamp Code	Wattage	Lamp Number	Voltages	Remote Distance
Ceramic Arc Tube Pulse Start Metal Halide (80+ CRI)*				
035G	35	CDM35/T6/830	1, 2	15' (4.5m)
			A, B	10' (3m)
070G	70	CDM70/T6/830	1, 2	15' (4.5m)
			A, B	20' (6m)
150G	150	CDM150/T6/830	1, 2	15' (4.5m)
Tungsten Halogen				
0100	100	Q100DC	A	
0150	150	Q150DC	A	
0200	200	Q200T3	A	
0250	250	Q250DC	A	
0350	350	Q350T3/CL/HIR	A	

For complete lamp and ballast information, see Accessories Section.
 * Standard lamp color is 3000K / 80+ CRI.

4 Mounting

W = Yoke/mounting plate for attachment over recessed outlet box

5 Finish

00 = Bright clear anodized reflector with mill finish door and end plates; black yoke/mounting plate
Note: Specify enclosure finish separately.

6 Voltage/Ballast

<i>Electronic</i>	<i>Magnetic*</i>
1 = 120V	A = 120V
2 = 277V	B = 277V

*35W or 70W Metal Halide or Tungsten Halogen (120V)

Project: _____

7 Option (see Accessories Section for specifications.)

- 00** = No options
- 0H** = Long distance remote ballast (encapsulated magnetic ballast for 35 and 70W, electronic ballast for 150W), 35W: 15' min. up to 50' max. (4.5m - 15m), 70W: up to 50' max. (15m), 150W: 15' (4.5m)
- 0M** = MRI medical facility use (tungsten halogen only). Custom enclosure required. Consult factory prior to specification.
- 0R** = Halogen standby lamp with relay field connected at remote ballast. Lamp included (wattage varies).
- XX** = For modification not listed, include detailed description. Consult factory prior to specification.

8 Standard

- 0** = UL, Underwriters Laboratories
- J** = CSA, Canadian Standards Association

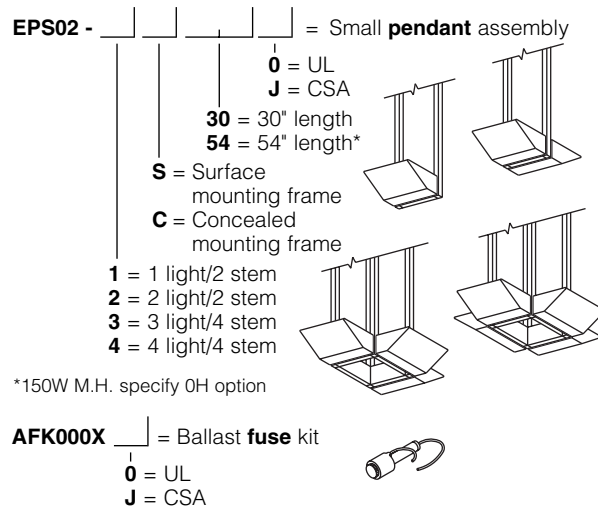
Example

T403 - 0250 - W - 00 - A - 000

Small Ensconce® base unit with 250W tungsten halogen lamp. Yoke/mounting plate to attach to suitable structure over recessed outlet box. Bright anodized reflector with mill finish door and end plates. Yoke/mounting plate finished black. 120V. UL. (Order enclosure separately.)

Accessories

Order separately. See Accessories Section for specifications.



Type: _____

Enclosures

Order separately. See Accessories Section for specifications.

ESA _____ **000** **
A

12-1/2" width x
5" height x
9-3/8" depth*



ESB _____ **000** **
A

12-1/2" width x
5" height x
9-3/8" depth*



ESC _____ **000**
A

13" width x
5" height x
9-1/16" depth*



* Add 7/16" (11mm) for reveal at wall.

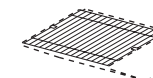
**Change "000" to "M00" for use in MRI medical facility.

A Enclosure Finish

- 02** = Semi-gloss white
- 06** = Dark bronze*
- 07** = Silver*
- 08** = Semi-gloss black*
- 12** = Green*
- 99** = Custom RAL or computer matched color to be specified, consult sales representative

* Non-white enclosures supplied with white finished interior surfaces.

APG00010 = Wire **paper guard**
 (available for enclosure styles ESA and ESB only)



ABA08010 = Enclosure **backsplash shield**
 includes sawtooth baffle and black interior finish to minimize light on wall behind (available for enclosure styles ESA and ESB only)



The external shapes of the asymmetric reflectors are trademarks of **elliptipar**. Certain products illustrated may be covered by applicable patents and patents pending. For a list of patents, see Contents pages. These specifications supersede all prior publications and are subject to change without notice. © 2008 **elliptipar**.