

# Diz

## PENDANT



CLEAR

Shown approximately 40% actual size.



HAVANA BROWN



OLIVE GREEN



STEEL BLUE  
(MOUNTED UP)

### DESCRIPTION

Transparent slumped glass plate floats around the exposed, secured MR16. May be mounted up or down. Includes low-voltage, 50 watt MR16 flood lamp and six feet of field-cutttable suspension cable.

### SYSTEM

Available for FreeJack, MonoRail, Two-Circuit MonoRail, and Kable Lite. For use on T-trak, order FreeJack version and T-trak FreeJack Connector (sold separately).

### COLOR

Clear, havana brown, olive green, steel blue.

### FINISH

Antique bronze, chrome, satin nickel.

### LAMP

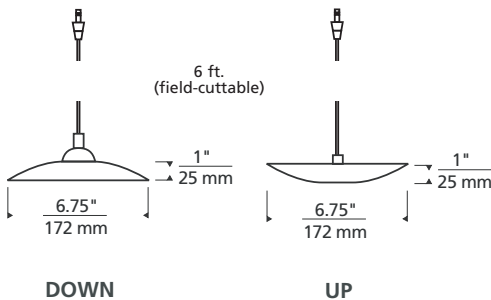
Low-voltage 12 or 24 volt Halogen MR16 up to 50 watts (included).

### ACCESSORIES AND OPTICAL CONTROLS

None.

### WEIGHT

0.64 lb./0.29 kg. ±



DOWN

UP

Socket terminates with FreeJack male connector, which may be installed into a system connector. Elements ordered with a system prefix include a connector for that system.

### ORDERING INFORMATION

700	SYSTEM	DIZ	COLOR	FINISH	VOLTAGE
	FJ	FREEJACK	C CLEAR	Z ANTIQUE BRONZE	12 VOLT
	MO	MONORAIL	N HAVANA BROWN		-24 24 VOLT
	MO2	TWO-CIRCUIT MONORAIL	V OLIVE GREEN	C CHROME	
	KL	KABLE LITE	U STEEL BLUE	S SATIN NICKEL	



**TECH LIGHTING®**

7400 Linder Avenue T 847.410.4400  
Skokie, Illinois 60077 F 847.410.4500

www.techlighting.com

700 \_\_\_\_\_ DIZ \_\_\_\_\_

FIXTURE TYPE: \_\_\_\_\_

JOB NAME: \_\_\_\_\_