

Specification Grade

Sign Accent

Building Entrances

Doorways

Pedestrian Areas

Landscape Areas

Building Accent

Wall Wash



FL-02-VO



FL-02-VO



FL-02

Specifications



Certifications

ETL and CETL listed for wet location and meets IP65 standard, dust-tight and water-jet proof.

Fixture Housing/Knuckle

The housing and knuckle is constructed of heavy wall die cast aluminum castings with a minimum 1/8" thickness.

Lens

Clear tempered 3/16" thick, high temperature silicone gasket sealed to fixture housing.

Lens Frame

Die cast aluminum minimum thickness of 1/8", attached to fixture housing with one center pinned latch and four rear mounted stainless steel cap screws.

Reflectors

Spun aluminum highly specular Alzak™ finish for either type R2 spot (1H1V), R3 flood (3H3V) or R4 flood (4H4V) distributions. One segmented asymmetric reflector is available, type R5 (distribution varies with lamp).

Lamp Holder

Porcelain 4kv pulse rated medium base for HID lamp sources.

Options

Color Filter (CF), Polycarbonate Lens Shield (PL), Barndoors (BD), Grid Louver (GL), Long Visor (LV), Short Visor (SV), Full Visor (FV), Fusing (F), Double Fusing (FF), Quartz Standby (QS), Photo Control Button (PCB). The Vertical Orientation (VO) allows the FL-02 to be configured in the vertical position. Note: when in the VO orientation the asymmetric optics are rotated 90°.

Mounting Detail

The FL-02 Knuckle is field adjustable up to 136° tilt and 360° horizontal rotation and slips over a 2-3/8" tenon. The FL-02-K or FL-02-VO may be horizontal surface mounted using either the Pier Mount (PM) or Stanchion Mount (SM) options. The FL-02-K or FL-02-VO may be wall mounted using the Designer Wall Bracket (DWB), or Standard Wall Bracket (WBT). The FL-02-Y is field adjustable up to 300° tilt and 90° horizontal rotation and can be secured to any surface with two screws using a cast adaptor. Mounting hardware and junction box by others. Call factory for custom mounting arrangements.

Finish


BK-BZ-WH-GR-GY-NA baked enamel paint standard. Powder coat and custom colors available on request.

PROJECT
FIXTURE TYPE
CATALOG#

2930 South Fairview Street
 Santa Ana, CA 92704
 Phone: 714 668 3660
 Fax: 714 668 1107
 sales@allscope.net
 http://www.allighting.com

FL-02

natural aluminum

 Some luminaires use fluorescent or high intensity discharge (HID) lamps that contain small amounts of mercury. Such lamps are labeled "Contains Mercury" and/or with the symbol "Hg." Lamps that contain mercury must be disposed of in accordance with local requirements. Information regarding lamp recycling and disposal can be found at www.lamprecycle.org

Product Order Guide

Series	Mounting Type	Max Watts	Lamp Type	Voltage ¹	Reflector Type	Finish ²	Options
FL-02	K Knuckle	13 CF	CF	120	R2 1H1V Spot	BK ³ Black	CF Color Filter
		26 CFQ	CFQ	208	R3 3H3V Flood	BZ ³ Bronze	PL Polycarbonate Lens Shield
	Y Yoke	42 CFT	CFT	240	R4 ⁵ 7H7V Flood	WH ³ White	BD Barn Doors
		60 PLH	PLH	277	R5 ⁵ Asymmetric	GR ³ Green	GL Grid Louver
		70 HPS	E17			NA ³ Natl Aluminum	LV Long Visor
		70 MH	E17			GY ³ Gray	SV Short Visor
		70 MH	T6			CC ³ Custom Color	FV Full Visor
		150 HAL	T4 ⁴	120			DWB Designer Wall Bracket
							PM Pier Mount
						SM Stanchion Mount	
					WBT Wall Bracket with Tenon		
					JBA Junction Box 1/2" NPT Adaptor		
LED							
	Titan 25WW	CUS3 ⁶	25,30,45	120	Warm White (3050°K)		F Fusing
	Titan 25CW	CUS3 ⁶	25,30,45	120	Cool (Daylight) White (4700°K)		FF Double Fusing
	Titan 25FIX	CUS3 ⁶	25,30,45	120	Fixed Color Red, Green, Blue, Amber		QS Quartz Standby
							PCB Photo Control Button
							VO Vertical Orientation

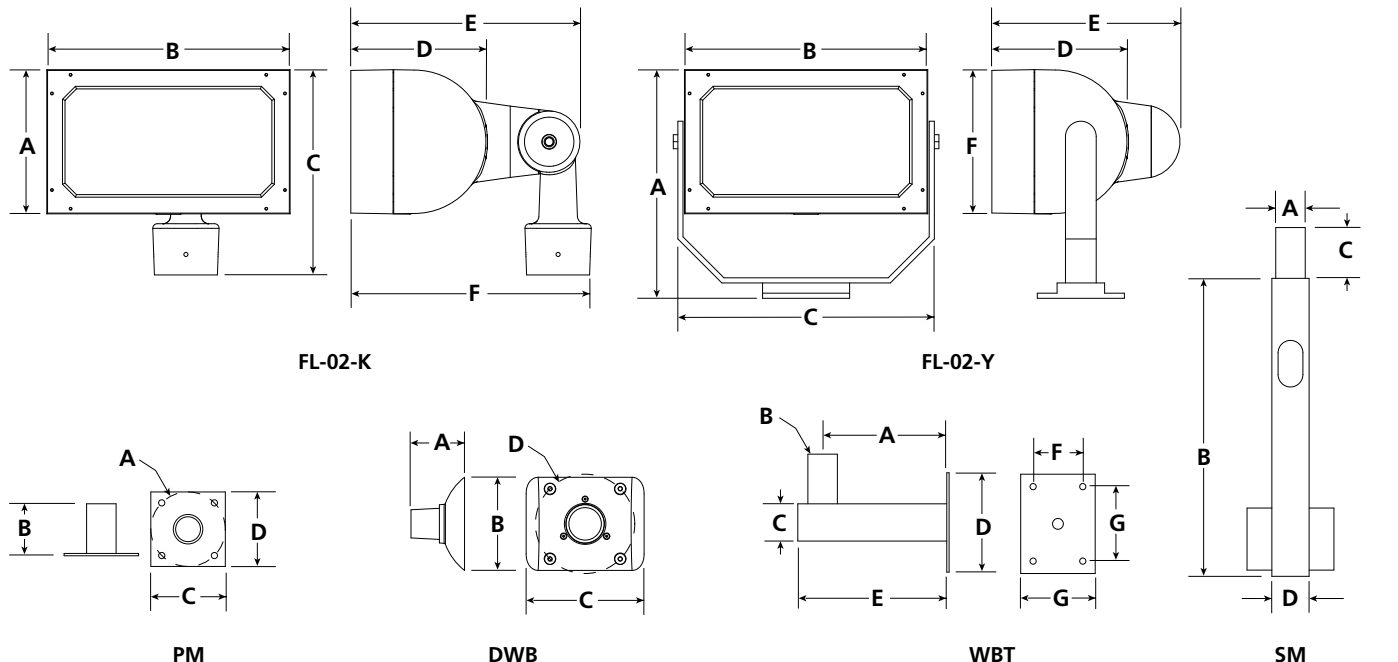
- ¹ Consult factory for other voltages.
 - ² Consult factory for other finishes.
 - ³ Baked enamel paint is standard, powder coat is optional.
 - ⁴ T4, Clear lamp and Mini-Can Base
 - ⁵ Compact fluorescent limited to R4 and R5 reflector types. R4 only compact fluorescent.
 - ⁶ The CUS3 uses a 25W Titan from Lamina with no tilt
- Note: E17 Lamps 175W and below are medium base
 CF=single biax, CFQ=double biax, CFT=triple biax

**FL-02 EPA 0.81
 or 0.61 at 45° Tilt**

Example: FL-02-K-70MH-E17-277-R3-BK-DWB

Luminaire Dimensions

Luminaire	A		B		C		D		E		F		G		Weight	
	Inch	mm	Inch	mm	Inch	mm	Inch	mm	Inch	mm	Inch	mm	Inch	mm	lbs.	kg
FL-02-K	7.00	178	11.88	302	10.00	254	6.59	167	11.19	284	11.73	298	n/a	n/a	25	11.3
FL-02-Y	11.16	283	11.88	302	12.52	318	6.59	167	9.18	233	7.00	178	n/a	n/a	20	9.1
PM	6.00	152	4.00	102	6.00	152	6.00	152	n/a	n/a	n/a	n/a	n/a	n/a	3	1.4
SM	2.375	60	24.00	610	4.09	104	3.00	76	n/a	n/a	n/a	n/a	n/a	n/a	4	1.8
WBT	10.00	254	2.375	60	3.00	76	8.00	203	12.00	305	4.00	102	6.00	152	7	3.2
DWB	4.31	109	7.50	191	9.50	241	8.00	203	n/a	n/a	n/a	n/a	n/a	n/a	5	2.3



bronze

gray

green

white

black